

# SMART Board® M700 series

SBM777-43  
 SBM787  
 SBM794-169  
 SBM797



## OVERVIEW

The SMART Board® M700 series interactive whiteboards are wall-mounted, front projection interactive whiteboards.

These interactive whiteboards let you do everything you can do at your computer by touching the interactive screen with your finger or the included pen: open and close applications, browse through files, hold meetings with others, create new documents or edit existing ones, visit websites, play video clips, and more. When you connect your interactive whiteboard to a computer and a projector, your computer image is displayed on the interactive screen. You can write over any application in digital ink, and then save the notes for future reference and distribution.

The pen tray included with these models connects to your interactive whiteboard. Use the color select buttons to change digital ink colors. The highlighter, fine-erase, on-screen keyboard, right-click, and orient features are also accessible with pen tray buttons.

## INTERACTIVE EXPERIENCE

<b>Touch technology</b>	Advanced IR with Object Awareness™ (distinguishes between pen, finger, eraser, and palm)
<b>Touch and gesture support</b>	Write and erase digital ink Perform mouse functions Use gestures <sup>1</sup>
<b>Multitouch capabilities</b>	Support for up to 20 simultaneous touches and up to two users
<b>Digitizing resolution</b>	Approximately 32,767 × 32,767

## HARDWARE

<b>Screen surface</b>	Durable hard-coated steel surface Optimized for projection Compatible with dry-erase markers
<b>Frame finish</b>	White

## SOFTWARE

<b>SMART Notebook® basic</b>	Included
<b>SMART Ink® and SMART Product Drivers</b>	Included
<b>SMART Learning Suite</b>	Bonus 1-year subscription

smarttech.com  
 smarttech.com/contact

© 2021 SMART Technologies ULC. All rights reserved. SMART Board, SMART Notebook, SMART Meeting Pro, SMART TeamWorks, SMART Ink, Object Awareness, smarttech, the SMART logo and all SMART taglines are trademarks or registered trademarks of SMART Technologies ULC in the U.S. and/or other countries. Windows is either a registered trademark or trademark of Microsoft Corporation in the United States and/or other countries. Mac and macOS are trademarks of Apple Inc., registered in the U.S. and other countries. All other third-party product and company names may be trademarks of their respective owners. This product and/or use thereof is covered by one or more of the following U.S. patents: www.smarttech.com/patents. Models and specifications may vary by region. Please contact your local representative for details. Contents are subject to change without notice. May 31, 2021.

<sup>1</sup>SMART Product Drivers must be installed to enable all features in SMART software.

INCLUDED CABLES AND ACCESSORIES	Qty
16' 5" (5 m) USB cable	1
Pens (passive)	2
Pen tray	1
Self-adhesive cable clips	5
Illustrated installation instructions	1
Important information document	1

**NOTE**

A digital projector isn't included with the interactive whiteboard. To take advantage of all interactive features, you must integrate the interactive whiteboard with a digital projector.

**COMPUTER REQUIREMENTS**

**WINDOWS® AND MAC**

<b>SMART Notebook minimum version</b>	20 (including SMART Notebook basic version)
<b>SMART Product Drivers minimum version</b>	12.16
<b>Other requirements</b>	See <a href="#">SMART Notebook 20 software for Windows and Mac</a>

**LINUX®**

<b>SMART Notebook minimum version</b>	11.1 for Linux
<b>SMART Product Drivers minimum version</b>	12.17 (required for Ubuntu® 20.04)
<b>Other requirements</b>	See <a href="http://smarttech.com/kb/171706">smarttech.com/kb/171706</a>

**POWER AND COMPUTER CONNECTION**

<b>Power source</b>	Obtains power from the computer through the USB cable on Windows and Mac computers
<b>Power consumption</b>	< 2.5 W (500 mA at 5V)
<b>Computer connection</b>	12 Mbps USB connection (full-speed USB 2.0)

**STORAGE AND OPERATING REQUIREMENTS**

<b>Operating temperature</b>	41°F to 95°F (5°C to 35°C)
<b>Storage temperature</b>	-4°F to 140°F (-20°C to 60°C)
<b>Humidity</b>	Up to 80% humidity, non-condensing

**CERTIFICATION AND COMPLIANCE<sup>2</sup>**

<b>US / Canada</b>	FCC, ISED, CONEG Packaging, Cal Prop 65
<b>EU / EEA / EFTA / UK</b>	CE, UKCA, LVD, EMCD, REACH, POP, RoHS, WEEE, Packaging
<b>EAEU</b>	EAC

**PURCHASING INFORMATION**

<b>Order number: SBM777-43</b>	SMART Board M777-43 interactive whiteboard with SMART Learning Suite
<b>Order number: SBM787</b>	SMART Board M787 interactive whiteboard with SMART Learning Suite
<b>Order number: SBM794-169</b>	SMART Board M794-169 interactive whiteboard with SMART Learning Suite
<b>Order number: SBM797</b>	SMART Board M797 interactive whiteboard with SMART Learning Suite

**WARRANTY**

<b>SMART Warranty</b>	Three-year limited equipment warranty (see <a href="http://smarttech.com/warranty">smarttech.com/warranty</a> for more information)
-----------------------	---

<sup>2</sup>Product availability may vary by region.

This product has received additional certifications not listed here.

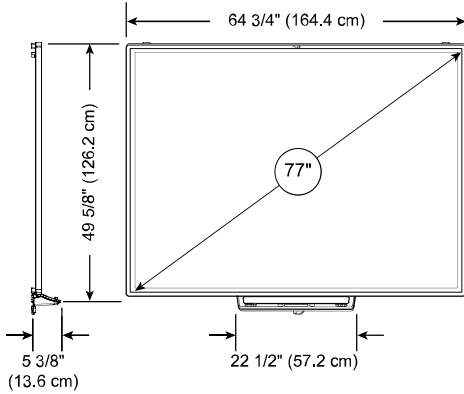
## DIMENSIONS AND WEIGHTS

### NOTE

All dimensions  $\pm 1/8"$  (0.3 cm). All weights  $\pm 2$  lb. (0.9 kg).

### SBM777-43

#### Dimensions



#### Projection area

61 5/8"  $\times$  46 1/4" (156.5 cm  $\times$  117.4 cm)

#### Aspect ratio

4:3

#### Weight

29 lb. (13 kg)

#### Interactive whiteboard shipping dimensions

69 1/4"  $\times$  54 1/4"  $\times$  4" (175.9 cm  $\times$  137.7 cm  $\times$  10.3 cm)

#### Interactive whiteboard shipping weight

45 lb. (20 kg)

#### Pen tray shipping dimensions

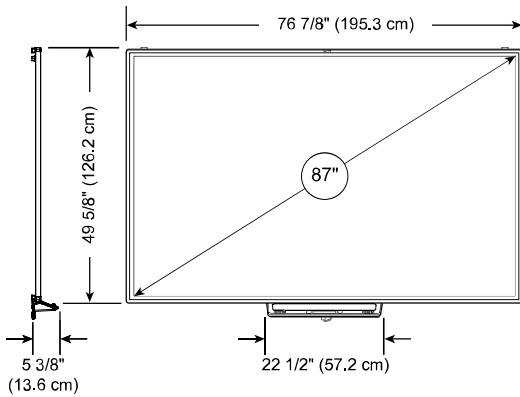
31 7/8"  $\times$  6 5/8"  $\times$  3 3/4" (81.1 cm  $\times$  16.7 cm  $\times$  9.5 cm)

#### Pen tray shipping weight

3 lb. (1.3 kg)

### SBM787

#### Dimensions



#### Projection area

73 3/4"  $\times$  46 1/8" (187.5 cm  $\times$  117.1 cm)

#### Aspect ratio

16:10

#### Weight

35 lb. (16 kg)

#### Interactive whiteboard shipping dimensions

81 1/2"  $\times$  54 1/4"  $\times$  4" (206.9 cm  $\times$  137.7 cm  $\times$  10.3 cm)

#### Interactive whiteboard shipping weight

52 lb. (23 kg)

#### Pen tray shipping dimensions

31 7/8"  $\times$  6 5/8"  $\times$  3 3/4" (81.1 cm  $\times$  16.7 cm  $\times$  9.5 cm)

#### Pen tray shipping weight

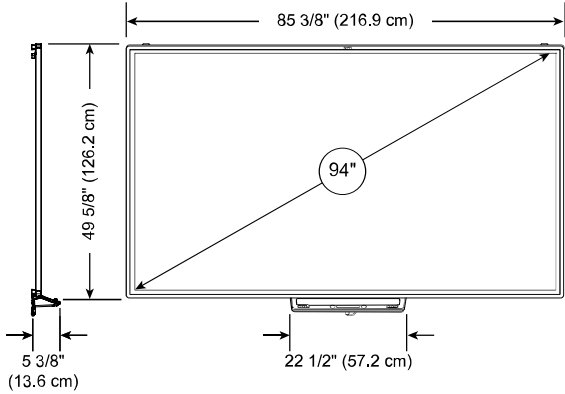
3 lb. (1.3 kg)

**DIMENSIONS AND WEIGHTS (CONTINUED)**

**NOTE**  
 All dimensions ± 1/8" (0.3 cm). All weights ± 2 lb. (0.9 kg).

**SBM794-169**

**Dimensions**



**Projection area**

82" × 46 1/8" (208.3 cm × 117.2 cm)

**Aspect ratio**

16:9

**Weight**

39 lb. (18 kg)

**Interactive whiteboard shipping dimensions**

89 7/8" × 54 1/4" × 4"  
 (228.4 cm × 137.7 cm × 10.3 cm)

**Interactive whiteboard shipping weight**

59 lb. (27 kg)

**Pen tray shipping dimensions**

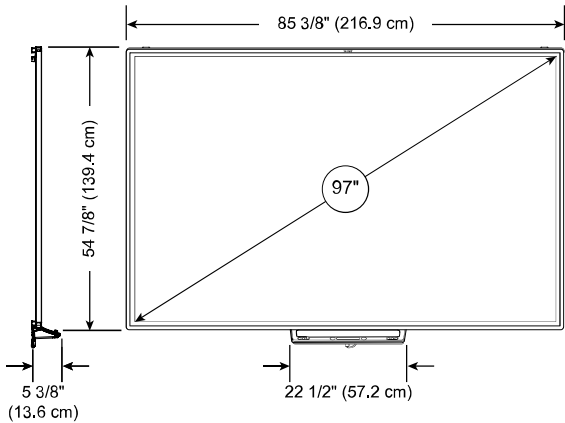
31 7/8" × 6 5/8" × 3 3/4"  
 (81.1 cm × 16.7 cm × 9.5 cm)

**Pen tray shipping weight**

3 lb. (1.3 kg)

**SBM797**

**Dimensions**



**Projection area**

82 1/4" × 51" (209.5 cm × 129.6 cm)

**Aspect ratio**

16:10

**Weight**

51 lb. (23 kg)

**Interactive whiteboard shipping dimensions**

89 7/8" × 59 1/2" × 4"  
 (228.4 cm × 151 cm × 10.3 cm)

**Interactive whiteboard shipping weight**

74 lb. (33 kg)

**Pen tray shipping dimensions**

31 7/8" × 6 5/8" × 3 3/4"  
 (81.1 cm × 16.7 cm × 9.5 cm)

**Pen tray shipping weight**

3 lb. (1.3 kg)